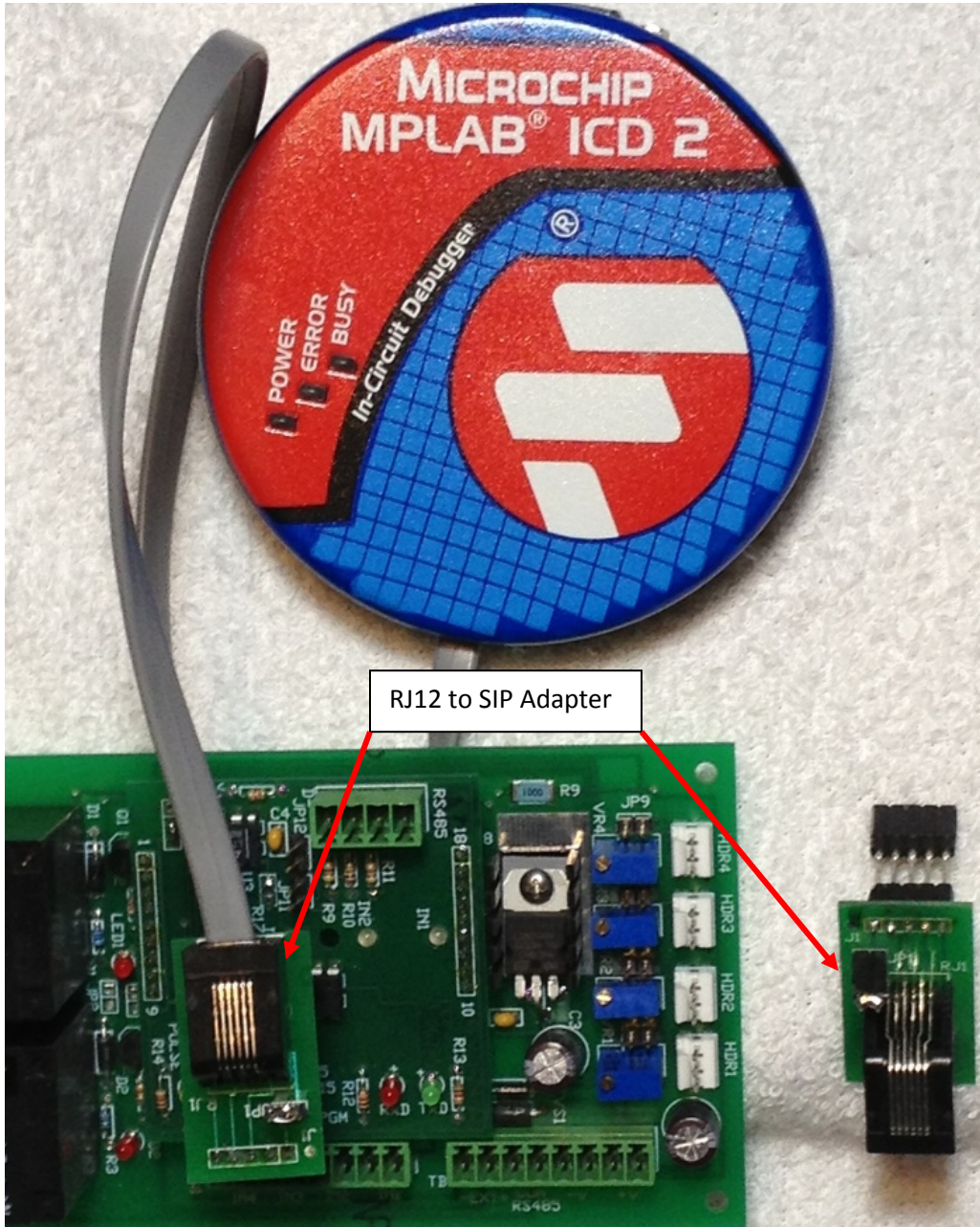
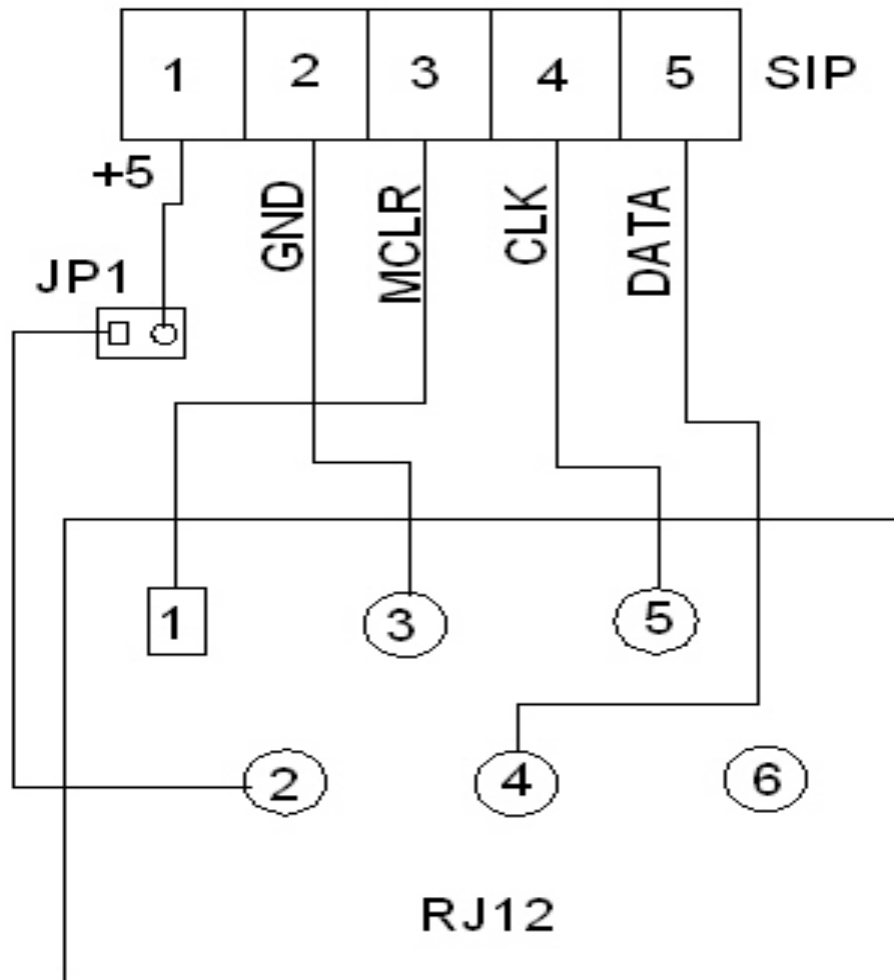


**SIP to RJ12 Converter:**

Microchip In Circuit Debuggers/Programmers use a bulky RJ12 connector. ECC DCBs use a five pin SIP connector to save board space. The adapter depicted below provides an interface between ICD devices and DCBs. See [schematic](#) for the adapter below. Note that this adapter is only needed if a user is developing code to replace the DCB operating system.



To DCB Program Header



From In Circuit Debugger/Programmer

RJ12\_to\_SIP Converter